

Multi-tasking Broadcasting System

Model : CSG-101 (CMMB Signal Generator)

CSG-101



DESCRIPTIONS

CSG-101 is Ultimate integrated RF Signal Generating system. It is built up based on China Mobile Multimedia broadcasting standard, So Called CMMB, It is fully compliant with CMMB standard (GY/T 220.1-2006). It has OFDM modulator and RF up-converter fully covers from 50MHz to 1GHz. The output level can be controlled from -110dBm to 10dBm with 0.1dB step and remote control functions enable you to get comfortable manipulating for the mass manufacturing factories.

CSG-101 CMMB Signal Generator has high-stability RF up-converter and CMMB modulator. It is highly optimized and cost-effective solution for designers, R&Ds , manufacturers even module maker.

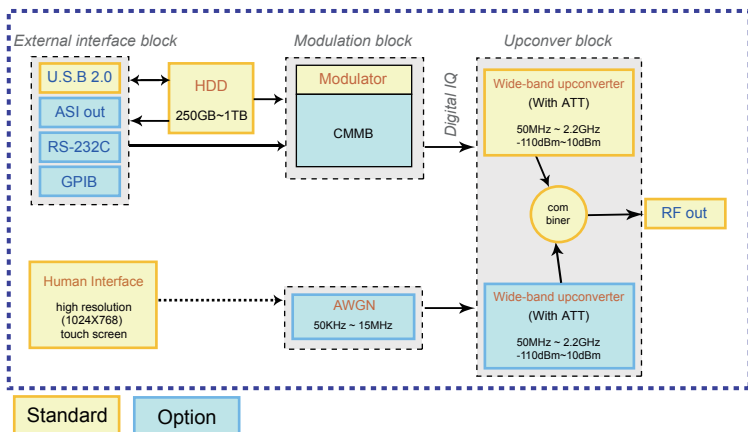
KEY WORDS

- CMMB Standards completely supports
- All-in-one system : TS Player + Modulator + RF up convertor
- High-stable & Precise RF output
- Excellent modulation parameter setting
- Real-time A/V Decoding Preview
- Precise Power Resolution : 0.1dB step
- Automatic TS Bitrate Setting
- Internal TS Generation
- Touch Screen 1024X768 pixels
- C/N Generation(AWGN) – Optional
- 2CH Multi TS playing – Optional
- TS Analyzer

SELECTED APPLICATIONS

- Receiver Designers
- Receiver Manufacturers
- Set-top Box / DTV Development & Manufacturing
- Manufactures Product Line
- Chip & Chipset Makers
- Module Makers
- Contents Providers
- Service Providers

BLOCK DIAGRAM



CMCMB Modulation Features

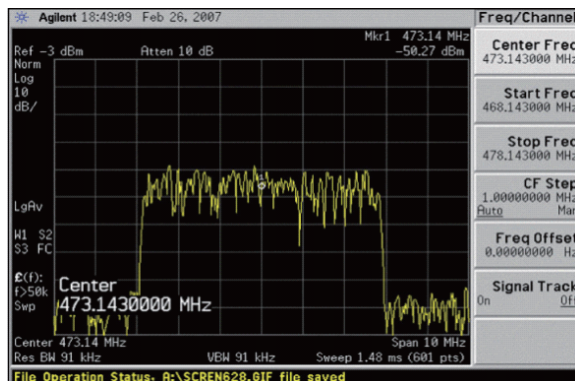
- Follow the standard: GY/T 220. 1-2006
- Byte Interleave mode : mode1, mode2, mode3
- RS coding : (240,240), (240,224), (240,192), (240,176)
- LDPC Bitrate : 1/2, 3/4
- Constellation : BPSK, QPSK, 16QAM
- Signal bandwidth : 8MHz
- Rate 1/2 and 3/4 LDPC encoder
- IFFT:4096 points
- GI and TXID support
- Transmitter ID: Configurable

RF SPECIFICATION

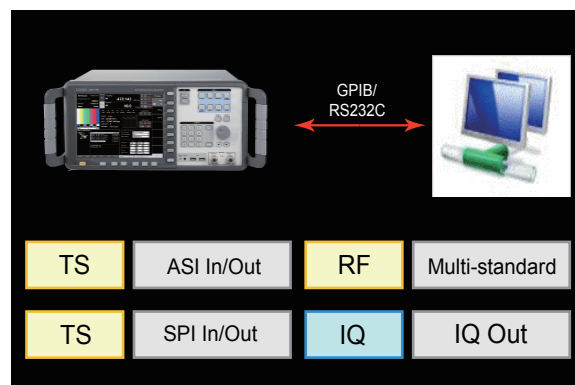
- RF Output Connector : BNC Type
- RF Output Frequency : 50MHz ~ 1GHz(VHF/ UHF)
- IMD : < -53dB@4.2MHz
- RF Frequency Resolution : 1Hz
- RF Power Level : +10 ~ -110dBm
- Frequency Accuracy : $1 \times 10^{-7} / 25^\circ\text{C}$ (intra-REF)
- RF Level Accuracy : $\pm 0.5\text{dB}$ relative to the level 18-33°C
- RF Impedance : 50 Ω
- IF Output Interface : 70MHz , 75 Ω , BNC, -20dBm
- LO phase noise : @1KHz : better than -85dBc/Hz
@10KHz : better than -95dBc/Hz
@100KHz : better than -110dBc/Hz



[MAIN UI]



[RF OUTPUT]



[INTERFACE]

OS SYSTEM SPECIFICATION

- System : Windows XP
- CPU : Core 2 Duo
- RAM : 1 GB
- Hard Disk : SATA2 500G
- Display : 10.4" TFT LCD 1024x768 pixels
- Dimensions : 430(W)x220(H)x474(D)
- Weight : Approx.17 Kg

INTERFACE SPECIFICATION

- TFT color LCD 10.4" TEF LCD(1024*768) Touch Screen
- RAM : 1 GB
- USB Interface : USB2.0 Stick, USB HDD/USB
- Remote Control : RS-232C , GPIB(Optional)

OPERATING SPECIFICATION

- Power Supply : 100 ~ 240 V/50~60Hz
- Operating temperature : 10°C~40°C
- Operating humidity : 20~85% RH(No Condensation)
- Guaranteed temperature : 15°C ~ 35°C
- Guaranteed humidity : 20 ~ 85% RH(No Condensation)
- Storage temperature : -20°C ~ 60°C
- Operating environment : Indoor