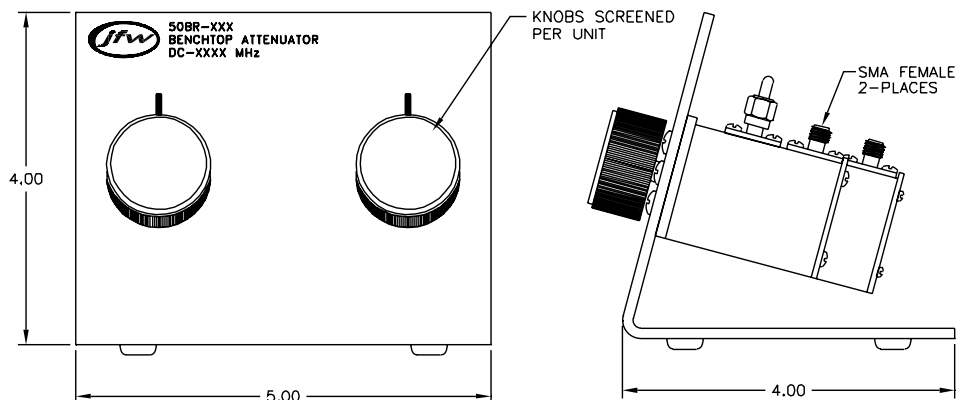


Bench Top Attenuators

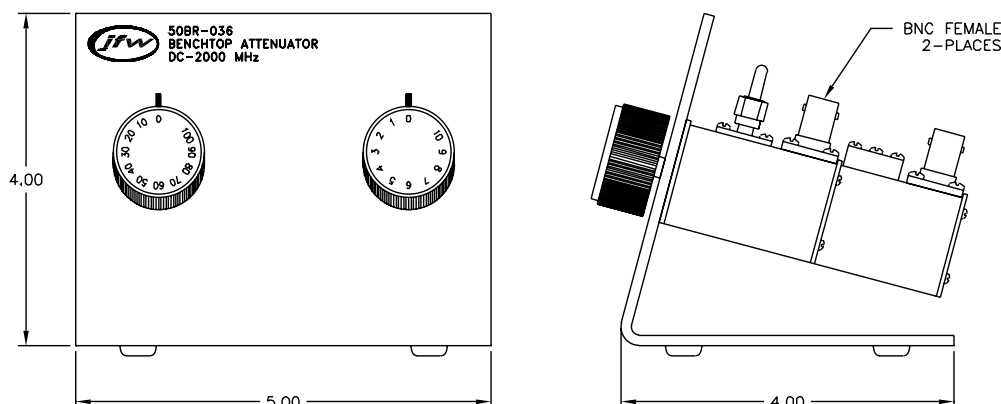
Model	Frequency Range	Attenuation Range	Attenuation Accuracy	VSWR (maximum)	Insertion Loss (maximum)
50BR-008	DC-2200 MHz	0-80 dB in 1 dB steps	+/- 0.5 dB or 1% DC-500 MHz +/- 0.5 dB or 2% 500-1000 MHz +/- 0.5 dB or 3% 1000-2200 MHz	1.3:1 DC-1000 MHz 1.5:1 1000-2200 MHz	0.5 dB DC-1000 MHz 1.0 dB 1000-2200 MHz
50BR-009	DC-1000 MHz	0-110 dB in 1 dB steps	+/- 0.5 dB or 1% DC-500 MHz +/- 0.5 dB or 2% 500-1000 MHz	1.3:1	1.2 dB
50BR-036	DC-2000 MHz	0-110 dB in 1 dB steps	+/- 0.3 dB or 1% DC-500 MHz +/- 0.5 dB or 2% 500-1000 MHz +/- 0.5 dB or 3% 1000-1500 MHz +/- 0.5 dB or 4% 1500-2000 MHz	1.3:1 DC-1000 MHz 1.5:1 1000-1500 MHz 1.7:1 1500-2000 MHz	0.75 dB DC-1000 MHz 1.25 dB 1000-2000 MHz

Common Specifications					
Impedance	RF Input Power	Standard Rotation	Indexing	Operating Temperature	RF Connectors
50 Ohms	2 Watts average 1000 Watts peak	Attenuation increases in clockwise direction	30 degrees with stops at minimum and maximum	-20° C to +85° C	BNC, SMA or N female

50BR-008 / 50BR-009



50BR-036



This represents only 10% of our products. For YOUR application, contact JFW at 1-877-887-4JFW or sales@jfwindustries.com